

High Pressure Unloader Valve



High & Ultra High Pressure Technology



Features

- Allows single or multiple dryshut gun operation
- Full control of pressure from zero to maximum
- 431 stainless steel bodies
- 2 inlet & 2 outlet ports
- Mounting holes for simple installation
- All valves fully tested & supplied with test certificates
- Seal & repair kits available
- Can be used on any pump
- Saves water

Build Options

- A range of connectors are available to suit a variety of hose connections
- Outlet manifold to allow multiple jetting guns to be used, see below

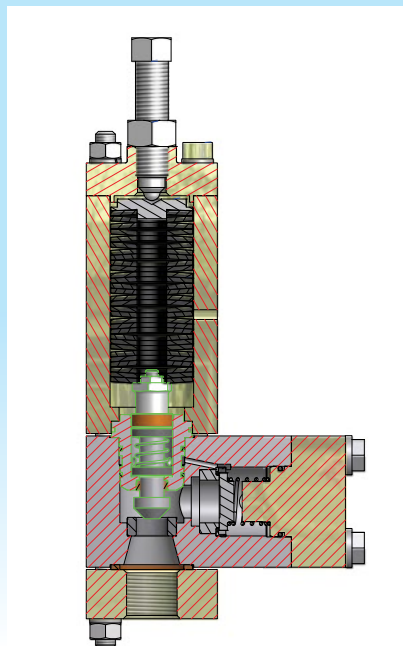
Summary of standard valves

Part No	Connections	Max Pressure		Max Flow	
		bar	psi	lpm	usgpm
43744-804	1/2" BSPM	1000	14,500	100	26
43744-805	3/4" BSPM	1000	14,500	200	53
43744-812*	1/2" BSPM	1000	14,500	100	26
43744-806*	1" BSPM	1000	14,500	450	120

*Pressure adjusting valve (no check valve fitted)

A common application for the Unloader Valve is for use with single or multiple dryshut off type jetting guns & foot control valves. When one or two guns are used, with both triggers closed the pump is "unloaded" & returns to zero pressure while pump flow is returned to the supply tank.

The valve is also ideal for pressure testing. When the set pressure is reached, the pump is unloaded while pressure is trapped in the item being tested. If pressure decays the valve will regulate & maintain set pressure.



Hughes Pumps Limited

Spring Gardens, Washington, West Sussex, RH20 3BS UK

Tel: +44 (0) 1903 892358 Fax: +44(0) 1903 892062

www.hughes-pumps.co.uk sales@hughes-pumps.co.uk



In line with the Company's policy of research and development, alterations in design, dimensions and appearance are incorporated from time to time in order to ensure that important developments are included at the earliest opportunity. The Company, therefore, reserves the right to alter design, dimensions etc without notice.