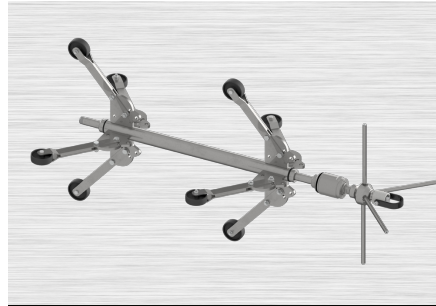


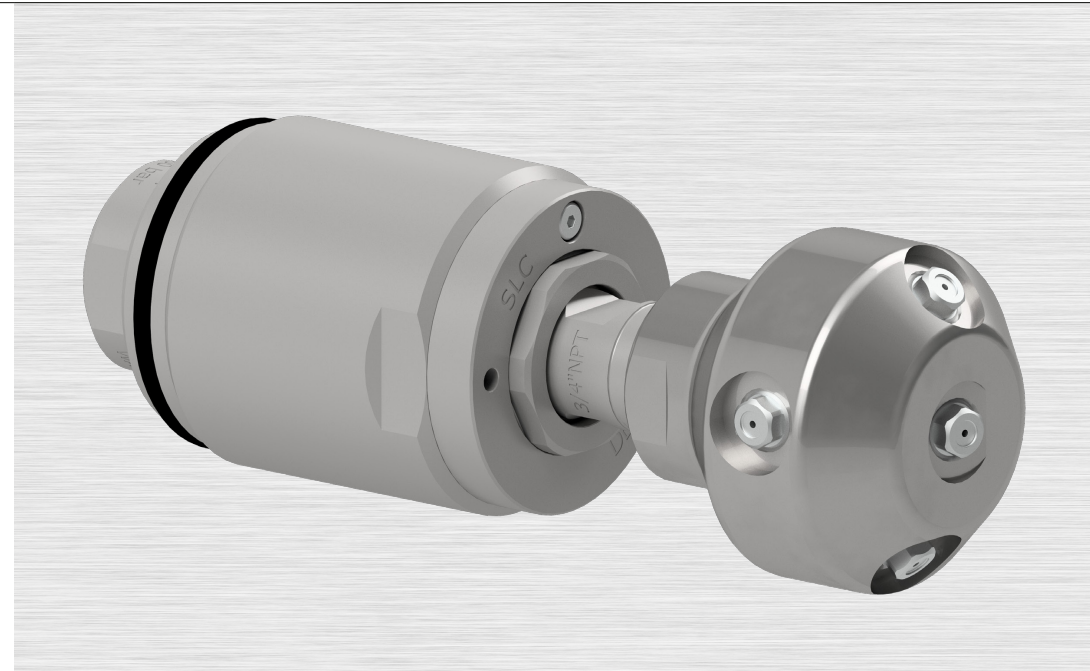
CENT 6-8-10

- + Stainless steel construction
- + Easy to change plastic skids
- + Suitable for 6-8-10"



CENT-8W

- + Easy to adapt to the pipe diameter
- + Stainless steel construction
- + Unique design



SELECTION

	SLC-1000	SLC-1500
Inlet connection	3/4" NPT F	M24 x 1.5 Flat F 3/4" - 14 NPS F (3/4 MP)
Shaft connection	3/4"NPT M	M24 x 1.5 Flat M
Max. pressure	1000 bar	1500 bar
Diameter	75 mm	75 mm
Length	155 mm	175 mm
Max. flow	380 l/min	380 l/min
Part nr.	SLC-1000-34NF.34NM	SLC-1500-24FV.24MR SLC-1500-12F.24MR

DERC Speed Regulated Line Cleaner - SLC

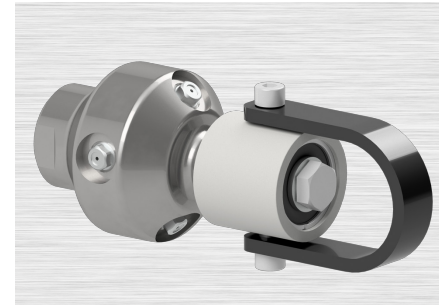
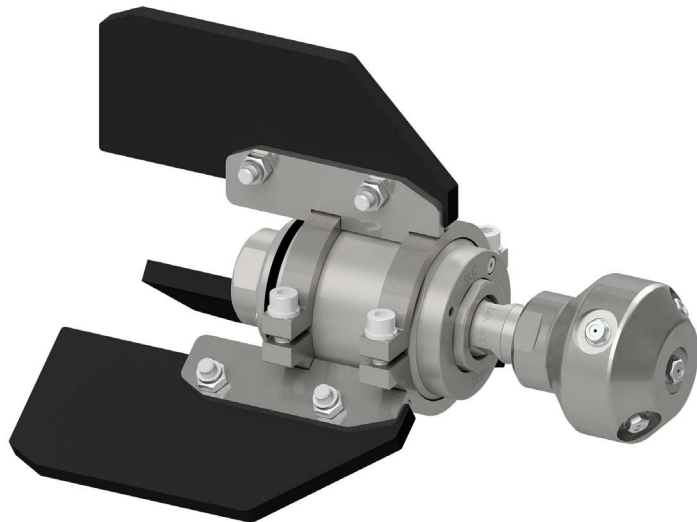
- + CLEANING PIPES AND VESSELS
- + UNPLUGGING AND CLEARING PIPES
- + SPEED REGULATED
- + MAX. WORKING PRESSURE 1500 BAR

DERC Speed Regulated Line Cleaner

The SLC by DERC Salotech is an unique "speed regulated" pipe cleaning tool. The speed can easily be adjusted "manually" for the required cleaning job. Slow speeds for plugged pipes with hard residues, and fast speeds for polishing the inner walls of the pipes.

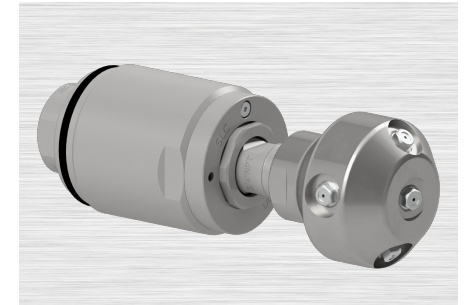
To suit the requirements of every cleaning job the SLC has a variety of head choices available to which you can connect a pulling ring, customized ports and have multiple jetting options. The SLC heads are based on pressure, flow and type of cleaning work. Certain head options require extension nipples. See our extension arms for the possibilities.

The DERC Salotech centralizers allow the SLC to work seamlessly with our in-house manufactured high pressure extension arms, placing the effective water jets closer to the wall of the pipe. In addition the jetting configurations can easily be optimized with our in-house manufactured high quality DERC Salotech inserts, to provide either more pulling power or more unplugging power.



DERC SLC PULLING RING

- + Standard 6 port head
- + 6 x 1/4" NPT
- + Double bearing, heavy duty
- + Stainless steel



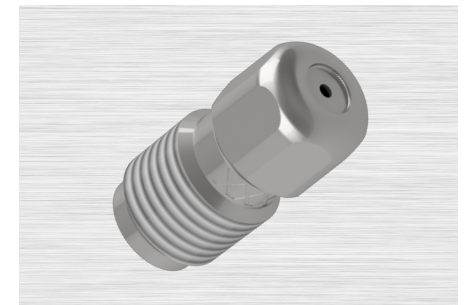
DERC SLC WITH 7 PORT HEAD

- + 7 port head
- + For unplugging
- + Stainless steel, rugged design
- + 7 x 1/4" NPT
- + Max. working pressure 1500 bar



DERC SLC 6 PORT HEAD WITH EXT. LANCES

- + Optional pulling ring
- + 1/2" ext. lances (6x)
- + Cleaning of large diameters
- + In combination with centralizer



DI14 NOZZLE INSERT

- + Quality insert
- + Long, sharp jet
- + Flow stabilizer
- + Unique design